

8.17. MIC/IR / BATTERY CATCHER SCHEMATIC DIAGRAM

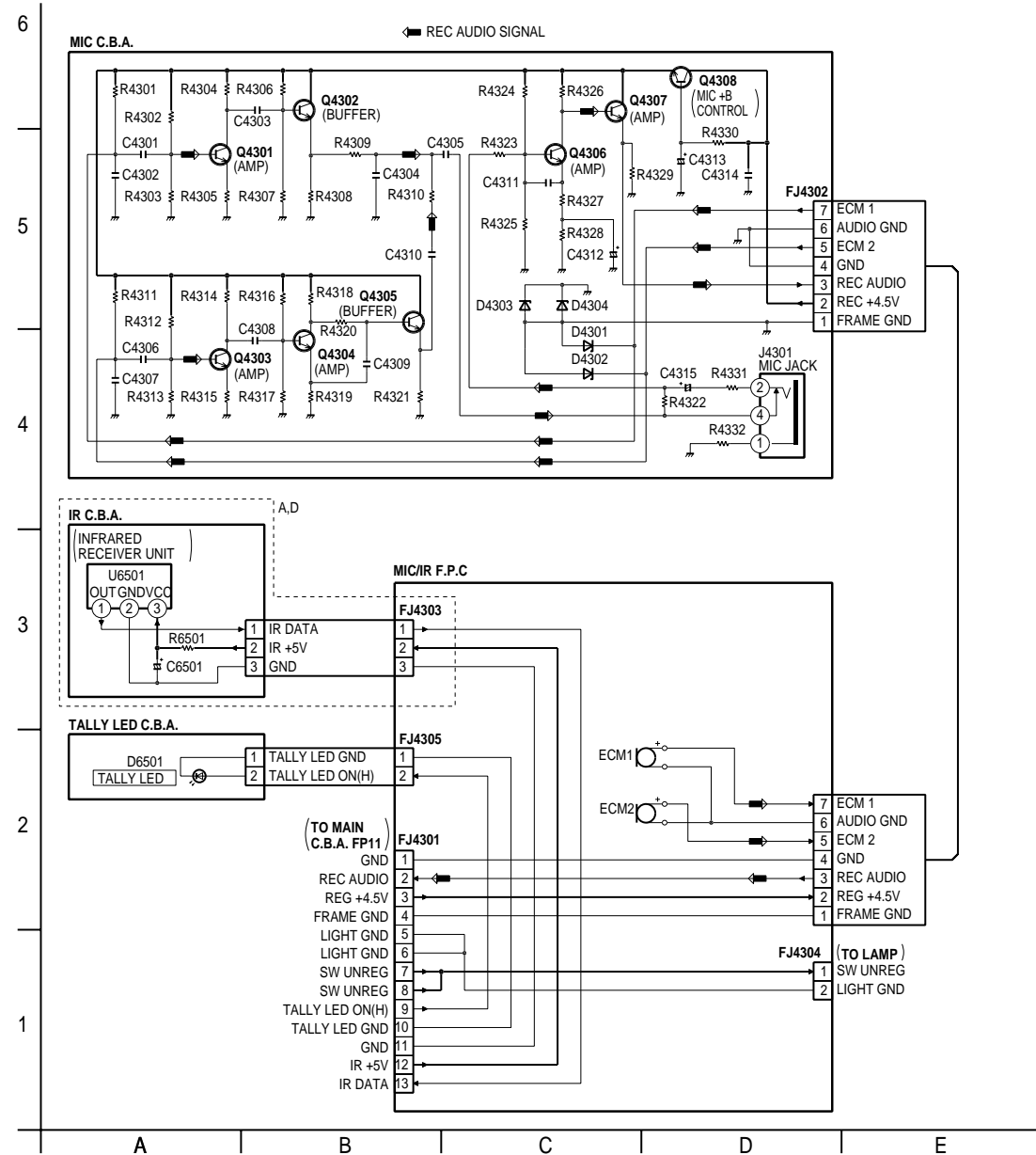
COMPARISON CHART OF MODELS & MARKS

MODEL	MARK
PV-L750	A
-----	B
PV-L780	C
PV-L850	D
Not Used	Z

MIC/IR UNIT

“FOR REFERENCE ONLY”

NOTE: MIC/IR UNIT IS NOT SERVICEABLE AND IS SUPPLIED AS A UNIT ONLY FOR REPLACEMENT.



BATTERY CATCHER UNIT

“FOR REFERENCE ONLY”

NOTE: BATTERY CATCHER UNIT IS NOT SERVICEABLE AND IS SUPPLIED AS A UNIT ONLY FOR REPLACEMENT.

